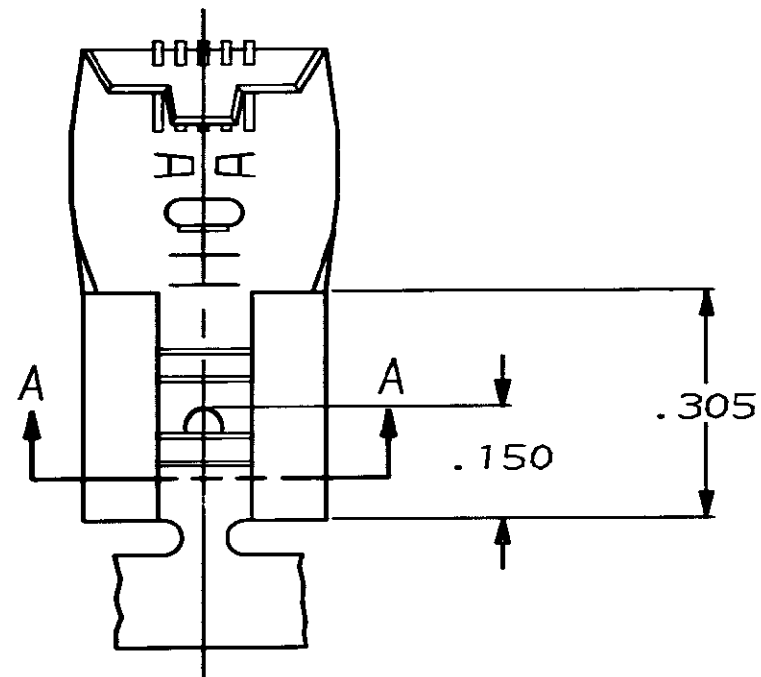
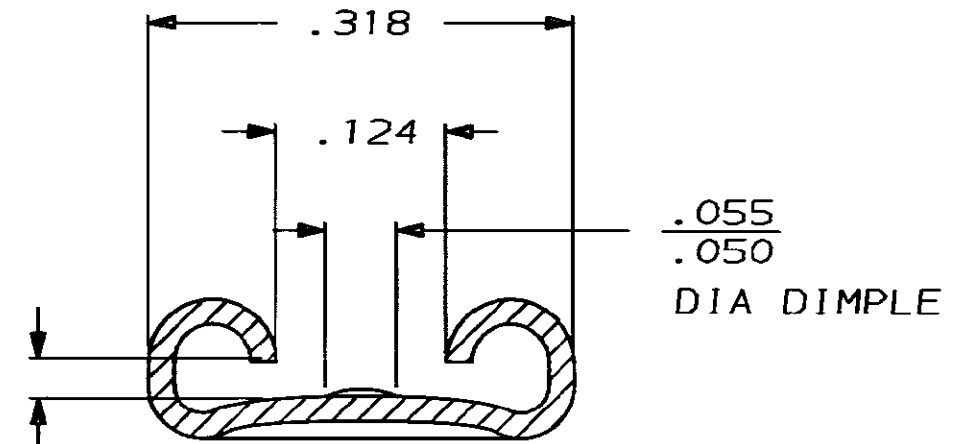


THIS DRAWING IS UNPUBLISHED. RELEASED FOR PUBLICATION .19
 © COPYRIGHT 1971 BY AMP INCORPORATED, HARRISBURG, PA. ALL INTERNATIONAL RIGHTS RESERVED. AMP PRODUCTS MAY BE COVERED BY U.S. AND FOREIGN PATENTS AND/OR PATENTS PENDING.

LOC	DIST	P	F	ZONE	LTR	DESCRIPTION	DATE	APPROVED
AF	50				H	REVISED AF-6298	10/19/89	JR/CM

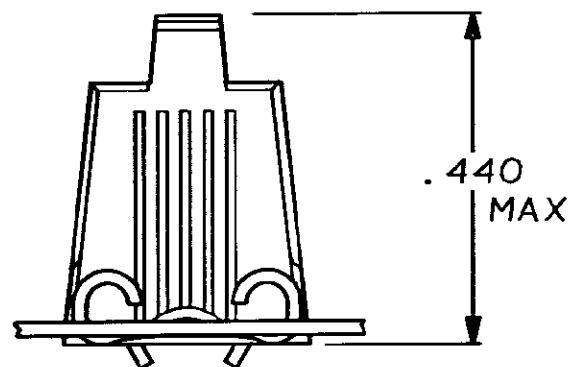


1- CONTINUOUS STRIP ON REELS.



FITS .250 SERIES FASTON TAB

SECTION A-A



12-10	.032 ±.001	TIN	.018 4M BRASS	62022-2
12-10	.032 ±.001	SILVER	.018 PHOS. BRONZE	62022-1
WIRE SIZE	TAB THK	FINISH	MATERIAL	PART NO

UNLESS OTHERWISE SPECIFIED DIMENSIONS ARE IN INCHES TOLERANCES ON: 2 PL DEC ± _____ 3 PL DEC ± .015 ANGLES ± _____	DR	JR RUTH 2/3/86	AMP INCORPORATED Harrisburg, Pa. 17105	
	CHK	M FEHER 2/6/86		
MATERIAL SEE TABLE	APPD	C MEYERS 2/7/86	NAME .250 SERIES FLAG FASTON RECEPTACLE	
	APPD	R KUZO 2/7/86	SIZE	FSCM NO
FINISH SEE TABLE	PRODUCT SPEC	_____	B	00779
	APPLICATION SPEC	_____	SCALE	NTS
	WEIGHT	_____	DRAWING NO	62022
			SHEET	1 OF 1